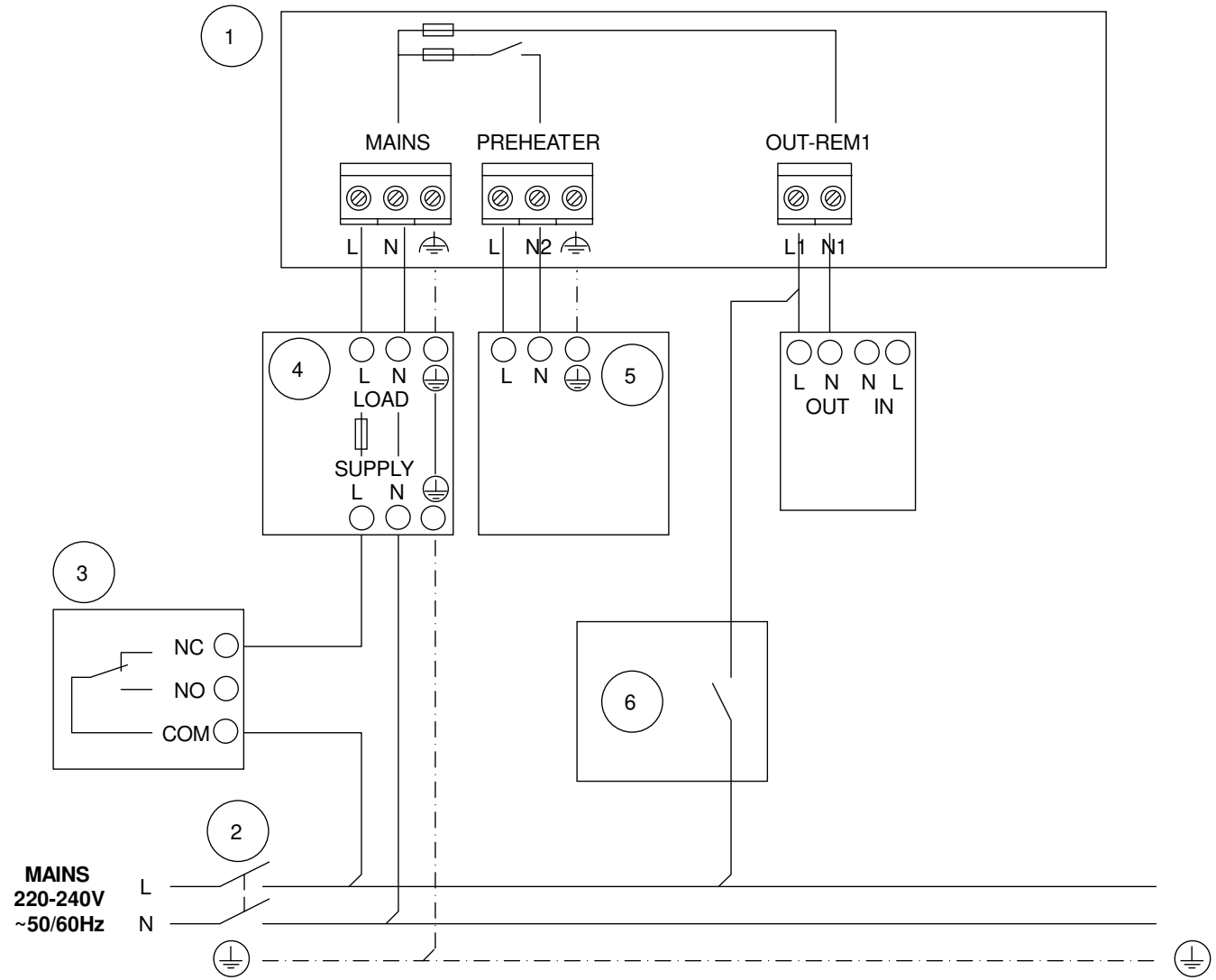



This drawing is property of VORTICE ELETTROSOCIAL SPA. Without the written permission of VORTICE ELETTROSOCIAL SPA the drawing may not be used to construct the object represented, nor be shown to third parties or otherwise reproduced. VORTICE ELETTROSOCIAL S.p.A. will protect exclusivity rights under the law.



- 1 PIV unit
- 2 Main bipolar switch
- 3 SMOKE / CO detector with NO/NC contact (for reference only)
- 4 FUSE box
- 5 Preheater
- 6 External sensors C Temp, C Smoke, C HCS (for reference only)

	Prima emiss. 26/09/2022	Emiss. attuale 13/12/2022	Dis. RS/UT
	DESCRIZIONE VORT PIV QUADRO RF / WALL RF NINFO n. 782/22		
Questo DISEGNO annulla e sostituisce tutti quelli precedentemente emessi	DISEGNO n.	E960600B	
	CODICE n.	9.993.000.600	